

PRODUCT RELEASE

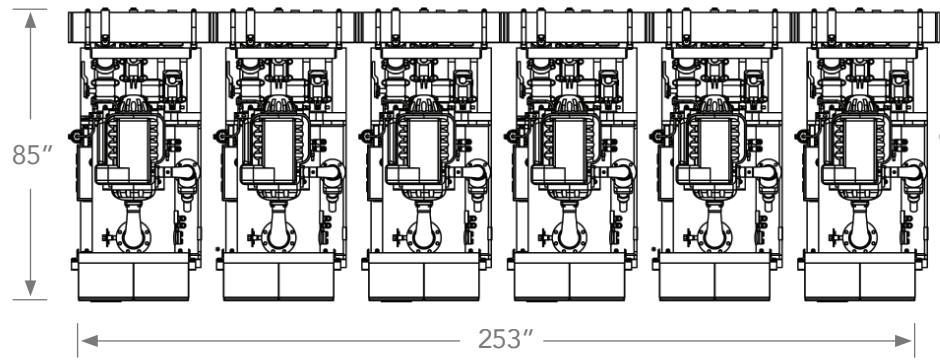


# The Arctic Chiller Group

Manufacturer of Premium Efficiency Cooling Solutions

## MiniMod™ by Arctic

- Capacity range from 60 to 660 tons
- Driven by an ultra quiet oil free compressor
- Variable speed compressor for low noise, precise load matching and ultra low inrush current at start-up
- Available with R-134a refrigerant with options for low GWP R-513A, and HFO R-1234ze
- MiniMod™ available with knockdown construction
- State of the art control system compatible with all building automation systems with optional remote monitoring
- Available with factory header package for easy installation
- Highest modular efficiency with flooded evaporator
- Smallest modular footprint with cleanable shell and tube heat exchanger



Expandable up to 6 modules

## MiniMod™ Product Range

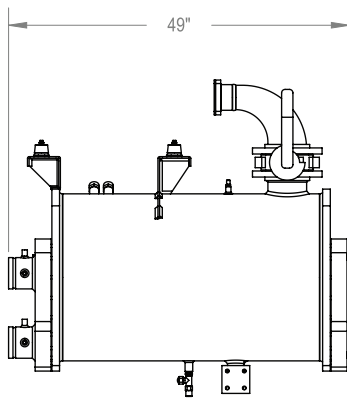
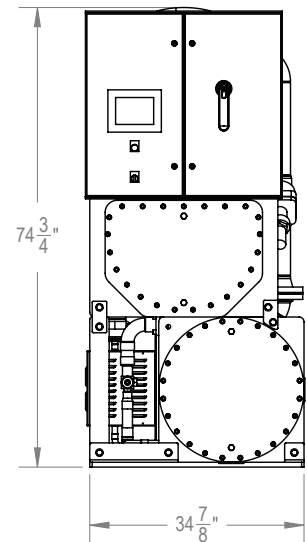
Model	Nom tons	Comp	Volt	# of Module	Header size	Weight lbs
ACW085AT3046	85	TT300	460-575	6	8	4800
ACW110AT3546	110	TT350	460	6	8	4820
ACW125AT4046	125	TT400	460-575	5	8	4835

Modules available with or without header system.

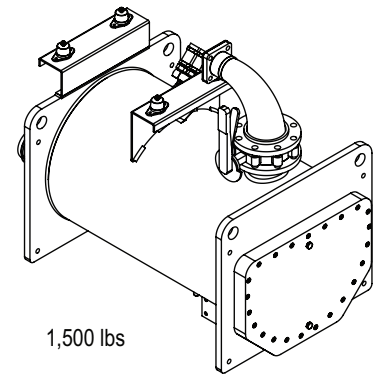
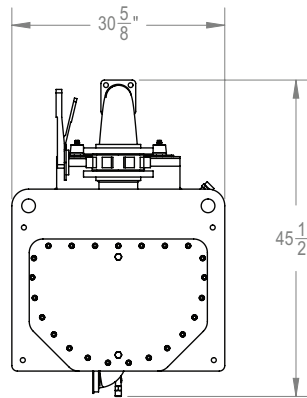
Motorized isolation valves for variable primary systems are optional.

Modules available with knockdown construction as shown below.

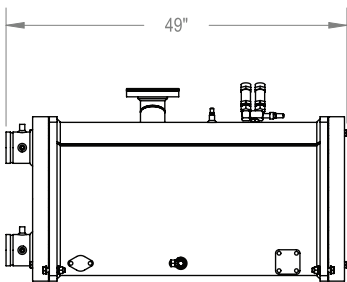
E&OE



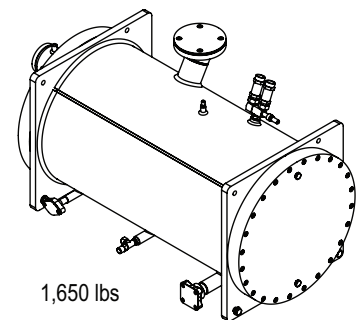
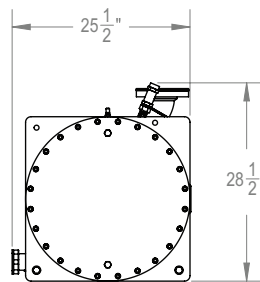
EVAPORATOR



1,500 lbs



CONDENSER



1,650 lbs

## The Arctic Chiller Group



### United States

71 Industrial Park Road  
Newberry, SC 29108  
(803) 321-1891  
Toll Free: (800) 849-7778  
Fax: (803) 321-1898

### Canada

2100 Steeles Avenue East  
Brampton, ON L6T 1A7  
(905) 789-9988  
Toll Free: (800) 339-8982  
Fax: (905) 789-9989

Visit our website at [www.arcticchillergroup.com](http://www.arcticchillergroup.com)