

Superior Features from the Ground-Up

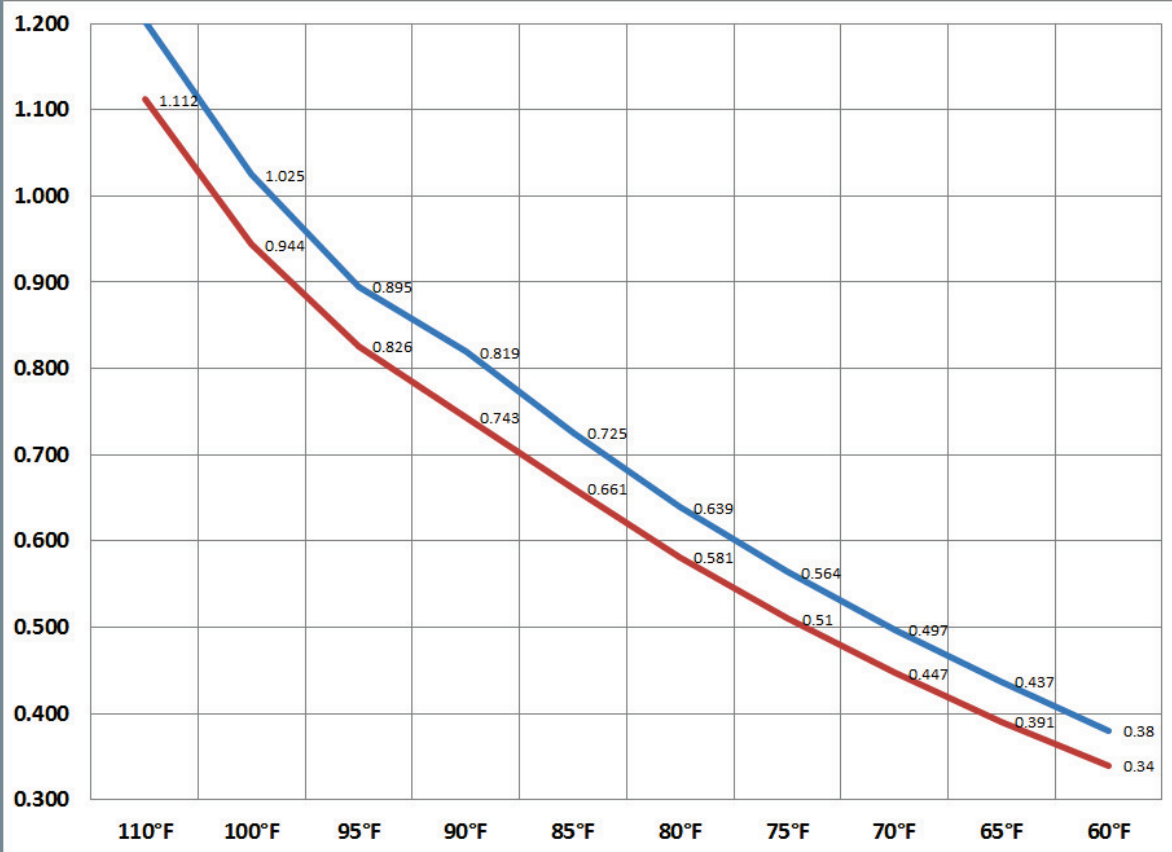
- 100% Oil-Free Variable-Speed Compressor with Magnetic Bearings and Soft-Start.
- Engineered for performance, reliability and serviceability. We provide all service valves needed for lowest cost maintenance.
- Genuine Danfoss MCX Controls assures proper operation across the widest range of ambient, staging and load conditions.
- Industry Leading Energy Efficiency.
- Built in automatic control of chiller staging, redundancy, fan-speed, bypass valves, IGVs and chilled-water set points.
- Innovative Floating-SDT Controls for Low and High Ambient Operation.
- Comprehensive Redundant Master-Slave functionality for modular deployments.
- Optional Hot Dip Galvanized Base built for rigid handling and rust-free operation.
- Powder Coated Sheet Metal provides attractive appearance and flexibility.
- ALL Variable Speed EC Fans provide reduced energy and higher performance.
- Low Noise Fan Diffuser option can reduce fan noise by 7.2 dB and increase fan CFM per HP to increase fan efficiency.
- Coil Guards. Animal Guards, Hail Guards
- 10,000 Hour Salt Spray Coating available.
- Single Point Power connection. Simple Controls Visibility through Ethernet.
- Optional Economizer provides increased efficiency and capacity in high ambient conditions, and normal compressor operation across a much wider ambient range.

Challenge and Solution

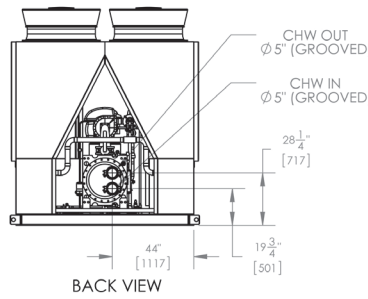
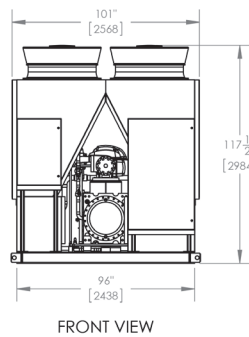
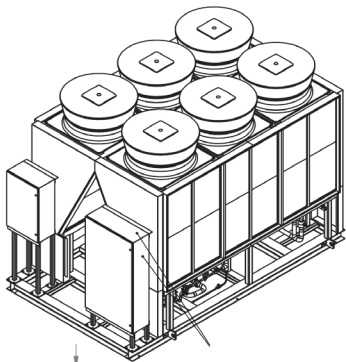
The commercial market demands a compact 100-125 ton air-cooled chiller that is energy-efficient and available at prices that meets requirements for affordable, proven equipment that significantly reduces costs.

The solution the ArcticCool ACA120AT356F that utilizes the remarkable TT350 Danfoss Turbocor compressor combined with generous condensers, six EC fans, low noise options and precise engineering that provides the best features and benefits available in a sustainable design.





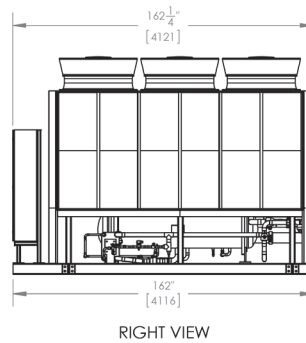
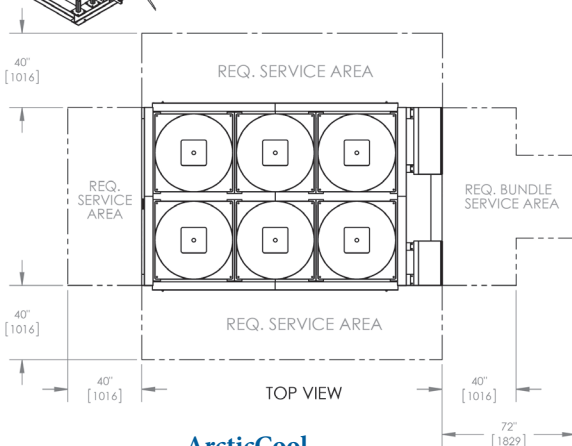
Rating curves are NPLV values based on ArcticCool model ACW120AT356F at 120 tons of duty with static condenser water temperature (no AHRI condenser relief) at the ambient temperatures shown. Blue Curve is based on 44°F and Red Curve is based on 48°F Chilled Water Temperature at 10° delta-T.



SOUND DATA - 3.3 ft. without Fan Diffusers

Global	78.5
63 Hz	41.7
125 Hz	52.8
250 Hz	62.6
500 Hz	69.1
1 kHz	74.2
2 kHz	73.0
4 kHz	69.7
8 kHz	66.7

Note: Low-noise fan diffusers reduce sound by @ 4dB



ArcticCool
 2100 Steeles Avenue
 Brampton, ON L6T 1A7
 (905) 789-9988
www.arcticchillergroup.com

